



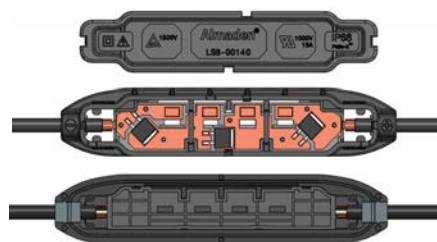
LSB-00140

Almaden[®]

DESIGNED FOR

SUPER GLASS-GLASS MODULES





Electrical Properties

Rated Voltage	1500V (TÜV) / 1000V (UL)
Max. Working Voltage	100V
Rated Current	15A
Contact Resistance	≤ 3mΩ
Input Resistance	12mΩ ± 2mΩ (2*1m Cable)
Power	180~400W
Diode	Panjit SB2045DY
Dielectric Strength	8KV AC / TÜV 3KV DC / UL

Mechanical Properties

Dimension	177.8*35.0*20.0mm (L*W*H)
Wire Size Range	4mm ² (TÜV) / 12AWG (UL)
Flat Wire (Ribbon) Size Range	MAX. 6mm
Rail	4
Cable	Betaflam 125 Flex UL4703, LEONI Studer
Connector	MC4 plus, LSC-R, H4 UTX or other compatible
Waterproofing structure	Potting

Environment Properties

Protection Degree	IP68
Pollution Degree	Class I
Flame Class	UL94-5VA
Temperature Range	-40 °C ~ +85 °C

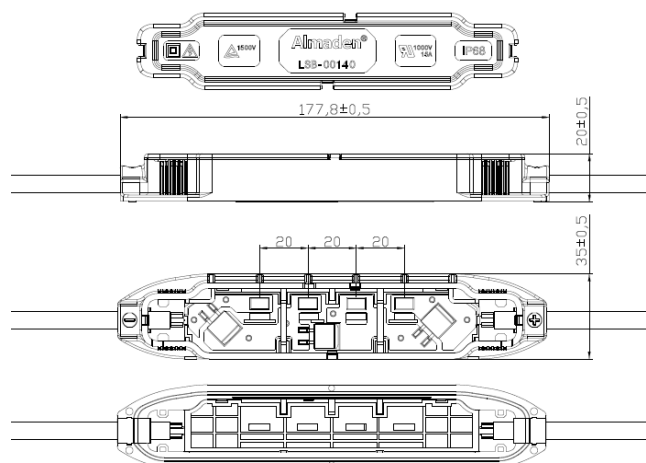
Material Properties

Top cover	PPE
Cover	PPE
Cable clamp	PPE
Terminal / Contact	Copper

Certification



Dimension(mm)



Description

- Apply to Mono, Poly & Bifacial PV module
- 1500V DC (IEC) certified
- High current carrying capability
- Cable connected by crimping
- Small contact resistance

Changzhou Almaden Co.,Ltd

Add: No.639, Qinglong East Road ,
Changzhou, Jiangsu, China
Email: info@czamd.com
www.czamd.com
Tel: +86-519-88880015